

ADA

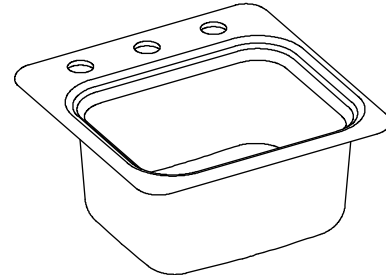
Features

- KOHLER cast iron
- Acid-resistant enamel finish
- Single bowl
- 3-hole (-3), 2-hole (-2), or single-hole (-1)
- 15" (381 mm) x 15" (381 mm)

Codes/Standards Applicable

Specified model meets or exceeds the following:

- ADA
- ICC/ANSI A117.1
- ASME A112.19.1/CSA B45.2



Colors/Finishes

- 0: White
- Other: Refer to Price Book for additional colors/finishes

Accessories:

- CP: Polished Chrome
- NA: None applicable
- Other: Refer to Price Book for additional colors/finishes

Specified Model

Model	Description	Colors/Finishes	
K-6579-3	3-hole bar sink	<input type="checkbox"/> 0	<input type="checkbox"/> Other_____
K-6579-2	2-hole bar sink	<input type="checkbox"/> 0	<input type="checkbox"/> Other_____
K-6579-1	Single-hole bar sink	<input type="checkbox"/> 0	<input type="checkbox"/> Other_____
Optional Accessories			
K-6590	Hardwood cutting board	<input type="checkbox"/> NA	
K-8801	Duostrainer® sink strainer	<input type="checkbox"/> CP	<input type="checkbox"/> Other_____

Product Specification

The bar sink shall be made of cast iron with acid-resistant enamel finish. Sink shall be drop-in and single compartment. Sink shall be 3-hole (-3), 2-hole (-2), or single-hole (-1). Sink shall be 15" (381 mm) in length and 15" (381 mm) in width. Sink shall be Kohler Model K-6579-_____-_____.

NORTHLAND™

Technical Information

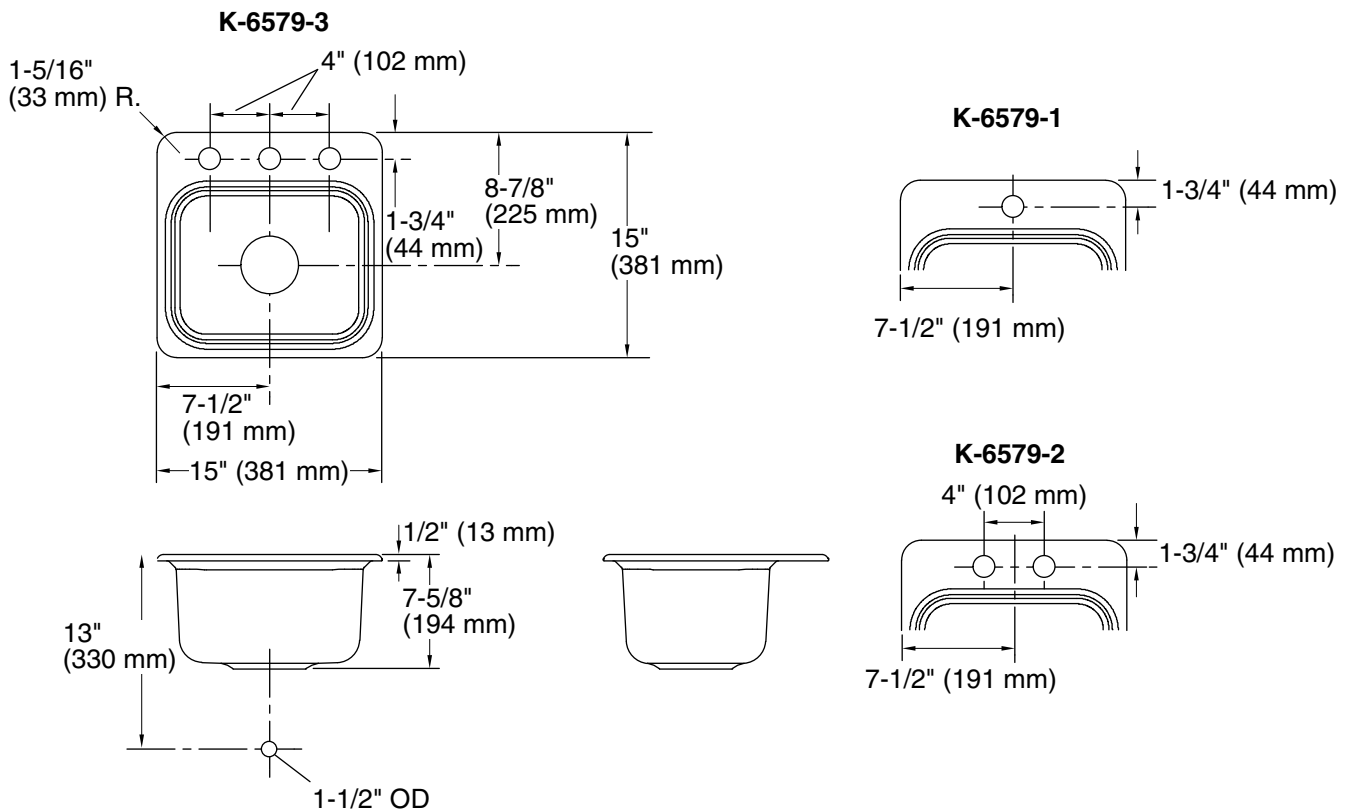
Fixture*:	
Bowl area	9-1/4" (235 mm) x 12" (305 mm)
Water depth	7" (178 mm)
Drain hole	Ø 3-7/8" (98 mm)
Faucet holes	Ø 1-3/8" (35 mm)
* Approximate measurements for comparison only.	

Installation Notes

Install this product according to the installation guide.

Cutout is 14-1/4" (362 mm) by 14-1/4" (362 mm) with 1" (25 mm) radius corners.

Will comply with **ADA** when installed per Section 606 exception 1 of the Act.



Product Diagram