

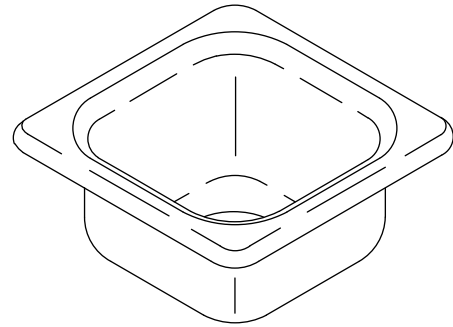
#### Features

- KOHLER cast iron
- Acid-resistant enamel finish
- Top-mount
- Single compartment
- 13" (330 mm) x 13" (330 mm)

#### Codes/Standards Applicable

Specified model meets or exceeds the following:

- ASME A112.19.1/CSA B45.2



#### Colors/Finishes

- 0: White
- Other: Refer to Price Book for additional colors/finishes

#### Accessories

- CP: Polished Chrome
- Other: Refer to Price Book for additional colors/finishes

#### Specified Model

Model	Description	Colors/Finishes	
K-6552	Bar sink	<input type="checkbox"/> 0	<input type="checkbox"/> Other_____
Optional Accessories			
K-8801	Duostrainer® sink strainer	<input type="checkbox"/> CP	<input type="checkbox"/> Other_____

#### Product Specification

The bar sink shall be made of cast iron with acid-resistant enamel finish. Sink shall be top-mount and single compartment. Sink shall be 13" (330 mm) in length and 13" (330 mm) in width. Sink shall be Kohler Model K-6552-\_\_\_\_\_.

# ADDISON™

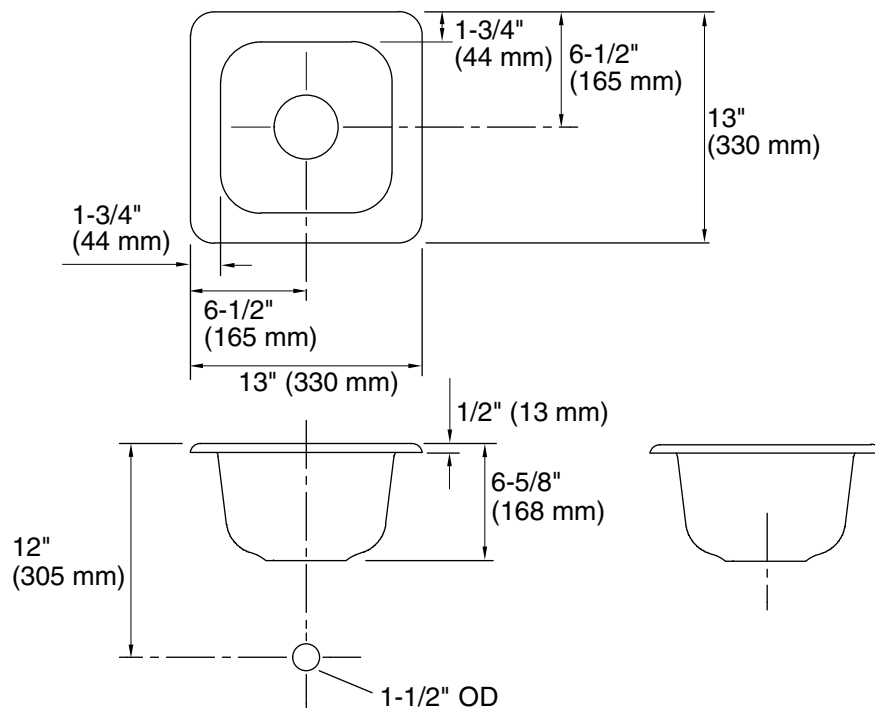
## Technical Information

Fixture*:	
Bowl area	10" (254 mm) x 10" (254 mm)
Water depth	6" (152 mm)
Drain hole	Ø 3-5/8" (92 mm)
* Approximate measurements for comparison only.	

## Installation Notes

Install this product according to the installation guide.

Cut-out is 11-3/4" (298 mm) by 11-3/4" (298 mm) with 1" (25 mm) radius corners.



## Product Diagram