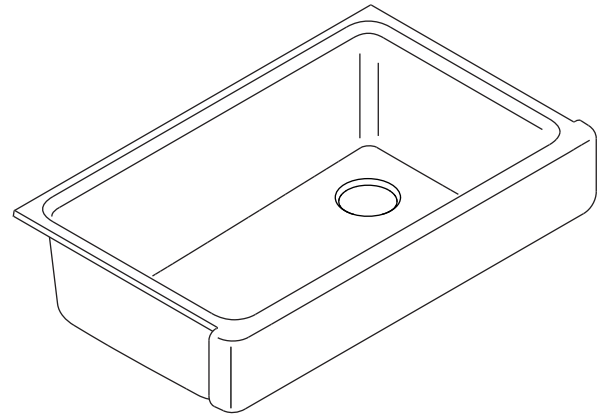


### Features

- KOHLER cast iron
- Acid-resistant enamel finish
- Single bowl
- Under-mount
- With 6-11/16" (170 mm) Self-Trimming® integral apron
- Fits a standard 36" (914 mm) sink base cabinet
- 35-1/2" (902 mm) x 21-9/16" (548 mm)

### UNDER-MOUNT SELF-TRIMMING® APRON FRONT KITCHEN SINK K-6488



### Codes/Standards Applicable

Specified model meets or exceeds the following:

- ASME A112.19.1/CSA B45.2

### Colors/Finishes

- 0: White
- Other: Refer to Price Book for additional colors/finishes

### Accessories

- CP: Polished Chrome
- ST: Stainless Steel
- Other: Refer to Price Book for additional colors/finishes

### Specified Model

Model	Description	Colors/Finishes	
K-6488	Under-mount Self-Trimming apron front kitchen sink – short apron	<input type="checkbox"/> 0	<input type="checkbox"/> Other_____
<b>Recommended Accessories</b>			
K-9000	P-Trap		<input type="checkbox"/> CP
<b>Optional Accessories</b>			
K-6639	Stainless steel bottom bowl rack		<input type="checkbox"/> ST
K-8801	Duostrainer® sink strainer	<input type="checkbox"/> CP	<input type="checkbox"/> Other_____

### Product Specification

The kitchen sink shall be made of KOHLER cast iron with acid-resistant enamel finish. Sink shall be 35-1/2" (902 mm) in length and 21-9/16" (548 mm) in width. Sink shall be under-mount and single bowl with 6-11/16" (170 mm) Self-Trimming integral apron. Kitchen sink shall be Kohler Model K-6488-\_\_\_\_\_.

# WHITEHAVEN®

## Technical Information

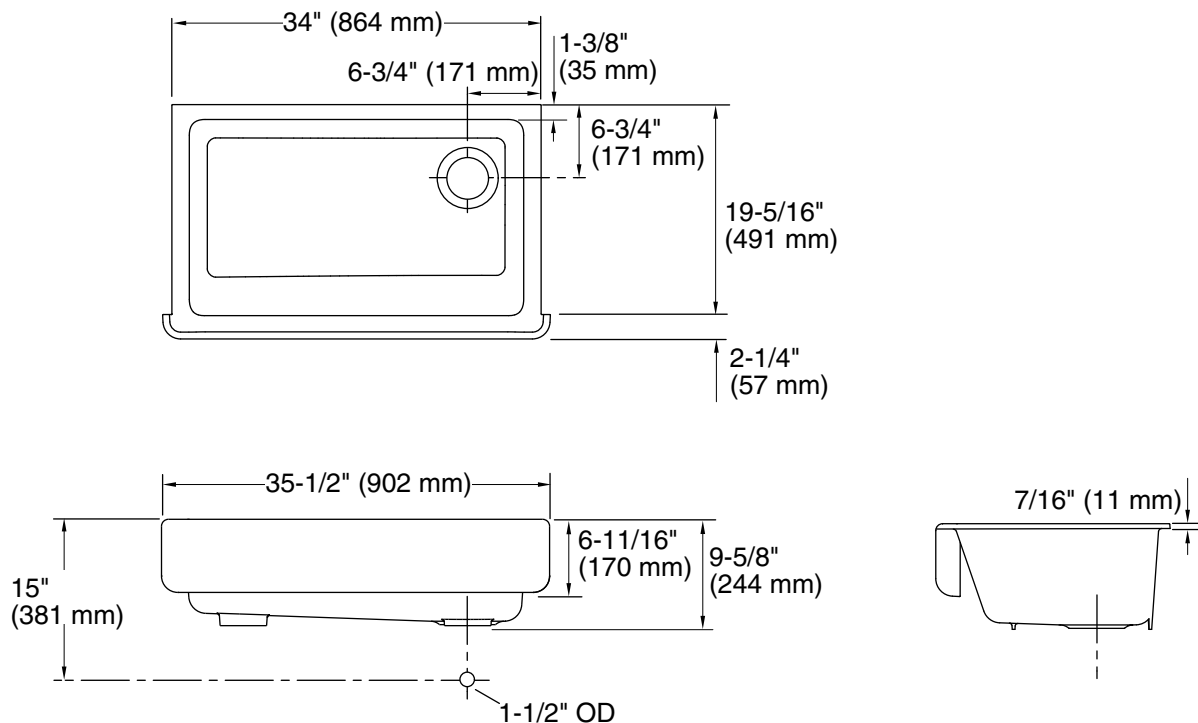
Fixture:*	
Bowl area	30-3/4" (781 mm) x 18-1/16" (459 mm)
Water depth	9" (229 mm)
Drain hole	Ø 3-5/8" (92 mm)
* Approximate measurements for comparison only.	
Included components:	
Countertop cutout template	1156910-7
Cabinet face cutout template	1211449-7

## Installation Notes

Install this product according to the installation guide.

**NOTICE:** Countertop manufacturer or cutter must use the current product template available at [www.kohler.com](http://www.kohler.com), or by calling 1-800-4KOHLER. Kohler Co. is not responsible for cutout errors when the incorrect cutout template is used.

**IMPORTANT!** The distance from the top edge of the cabinet to the top of the cabinet door must be at least 6-7/8" (175 mm) to install this sink.



## Product Diagram