

TOP-MOUNT KITCHEN SINK K-5932

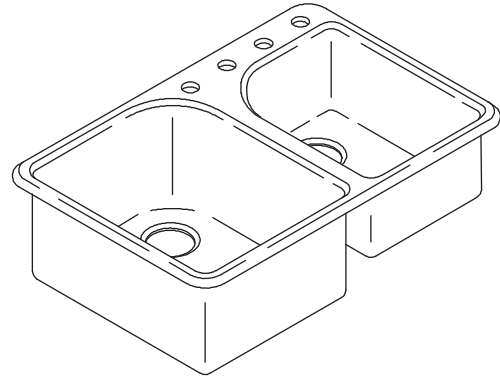
Features

- KOHLER cast iron
- Acid-resistant enamel finish
- Top-mount
- Double (large/medium) compartment
- 4 faucet holes
- 33" (838 mm) x 22" (559 mm)

Codes/Standards Applicable

Specified model meets or exceeds the following:

- ASME A112.19.1/CSA B45.2



Colors/Finishes

- 0: White
- Other: Refer to Price Book for additional colors/finishes

Accessories

- CP: Polished Chrome
- NA: None applicable
- Other: Refer to Price Book for additional colors/finishes

Specified Model

Model	Description	Colors/Finishes	
K-5932-4	Top-mount kitchen sink, 4-hole	<input type="checkbox"/> 0	<input type="checkbox"/> Other_____

Recommended Accessories			
K-9000	P-trap	<input type="checkbox"/> CP	

Optional Accessories			
K-6001	Bottom bowl rack (for left bowl only)	<input type="checkbox"/> 0	<input type="checkbox"/> Other_____
K-6515	Cutting board	<input type="checkbox"/> 0	<input type="checkbox"/> NA
K-6521	Wire rinse basket (for right bowl only)	<input type="checkbox"/> 0	<input type="checkbox"/> Other_____
K-8801	Duostrainer® sink strainer	<input type="checkbox"/> CP	<input type="checkbox"/> Other_____

Product Specification

The top-mount sink shall be made of cast iron with acid-resistant enamel finish. Sink shall be 33" (838 mm) in length, and 22" (559 mm) in width. Sink shall be double (large/medium) compartment. Sink shall have 4 faucet holes. Sink shall be Kohler Model K-5932-4-_____.

EXECUTIVE CHEF™

Technical Information

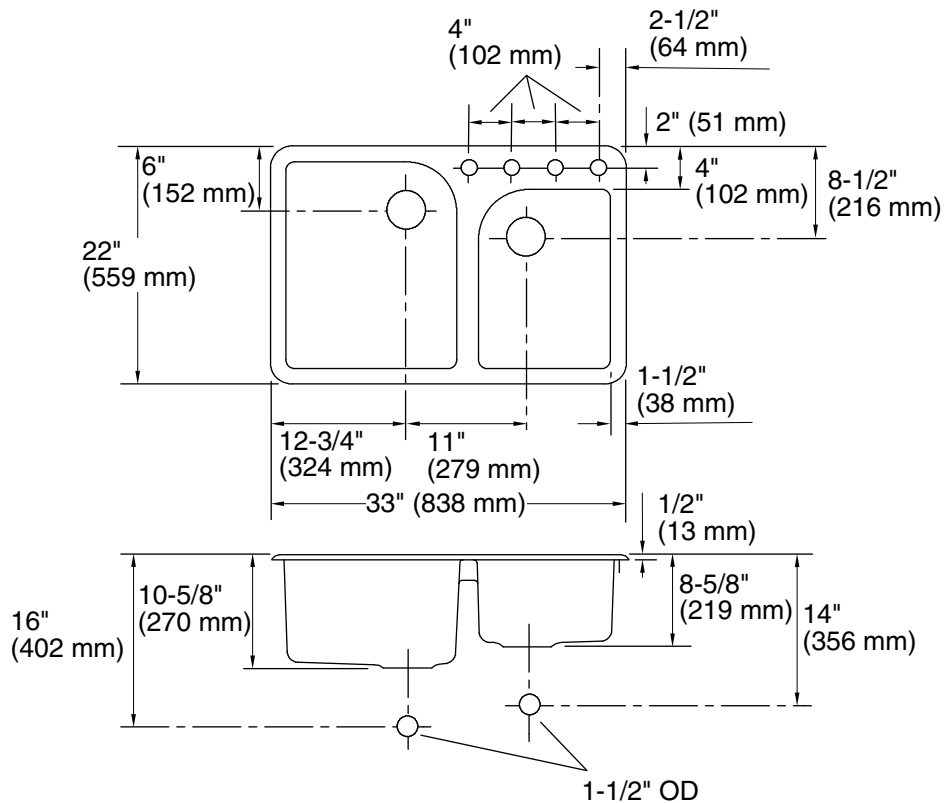
Fixture:*	Bowl Area	Water Depth
Sink (Medium)	12" (305 mm) x 17" (432 mm)	7-3/4" (197 mm)
Sink (Large)	16" (406 mm) x 19" (483 mm)	9-3/4" (248 mm)
Drain	Ø 3-5/8" (92 mm)	
Faucet Holes	Ø 1-3/8" (35 mm)	

* Approximate measurements for comparison only.

Installation Notes

Install this product according to the installation guide.

Cut-out dimensions are 31-7/8" (810 mm) x 20-3/4" (527 mm) with 1-1/2" (38 mm) radius corners.



Product Diagram