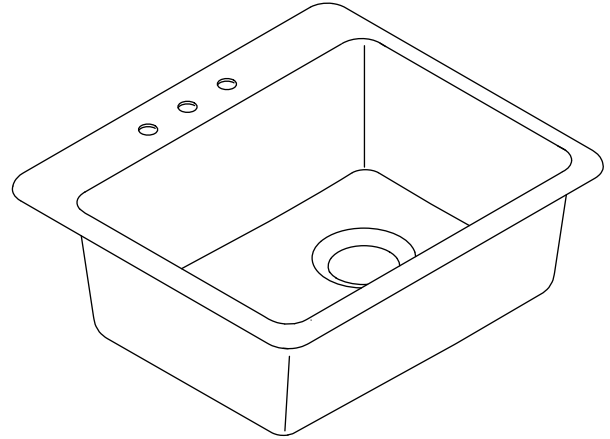


Features

- KOHLER cast iron
- Acid-resistant enamel finish
- Top-mount or under-mount
- Single bowl
- Top-mount installation available with one [-1A1], three [-3A1], or four [-4A1] holes
- Under-mount installation available with five [-5UA1] holes
- Includes bottom bowl rack
- 25" (635 mm) x 22" (559 mm)

TOP-MOUNT/UNDER-MOUNT KITCHEN SINK K-5872



Codes/Standards Applicable

Specified model meets or exceeds the following:

- ASME A112.19.1/CSA B45.2

Colors/Finishes

- 0: White
- Other: Refer to Price Book for additional colors/finishes

Accessories

- 0: White
- CP: Polished Chrome
- ST: Stainless Steel
- NA: None applicable
- Other: Refer to Price Book for additional colors/finishes

Specified Model

Model	Description	Colors/Finishes	
K-5872-1A1	Top-mount kitchen sink - with one hole	<input type="checkbox"/> 0	<input type="checkbox"/> Other_____
K-5872-3A1	Top-mount kitchen sink - with three holes (shown)	<input type="checkbox"/> 0	<input type="checkbox"/> Other_____
K-5872-4A1	Top-mount kitchen sink - with four holes	<input type="checkbox"/> 0	<input type="checkbox"/> Other_____
K-5872-5UA1	Under-mount kitchen sink - with five holes	<input type="checkbox"/> 0	<input type="checkbox"/> Other_____
Included Accessories			
K-6238	Bottom bowl rack		<input type="checkbox"/> ST
Recommended Accessories			
K-9000	P-Trap		<input type="checkbox"/> CP

Product Specification

The top-mount or under-mount kitchen sink shall be made of KOHLER cast iron with acid-resistant enamel finish. Sink shall have single bowl and include bottom bowl rack. Sink shall be 25" (635 mm) in length, and 22" (559 mm) in width. Sink shall have top-mount models available with one [-1A1], three [-3A1], or four [-4A1] holes. Sink shall have under-mount model available with five [-5UA1] holes. Kitchen sink shall be Kohler Model K-5872-_____-_____.

RIVERBY®

Optional Accessories			
K-6194	Utility rack with soaking cup	<input type="checkbox"/> ST	
K-6239	Colander with integral cutting board	<input type="checkbox"/> O	
K-6246	Wood cutting board	<input type="checkbox"/> NA	
K-8801	Duostrainer® sink strainer	<input type="checkbox"/> CP	<input type="checkbox"/> Other_____

Technical Information

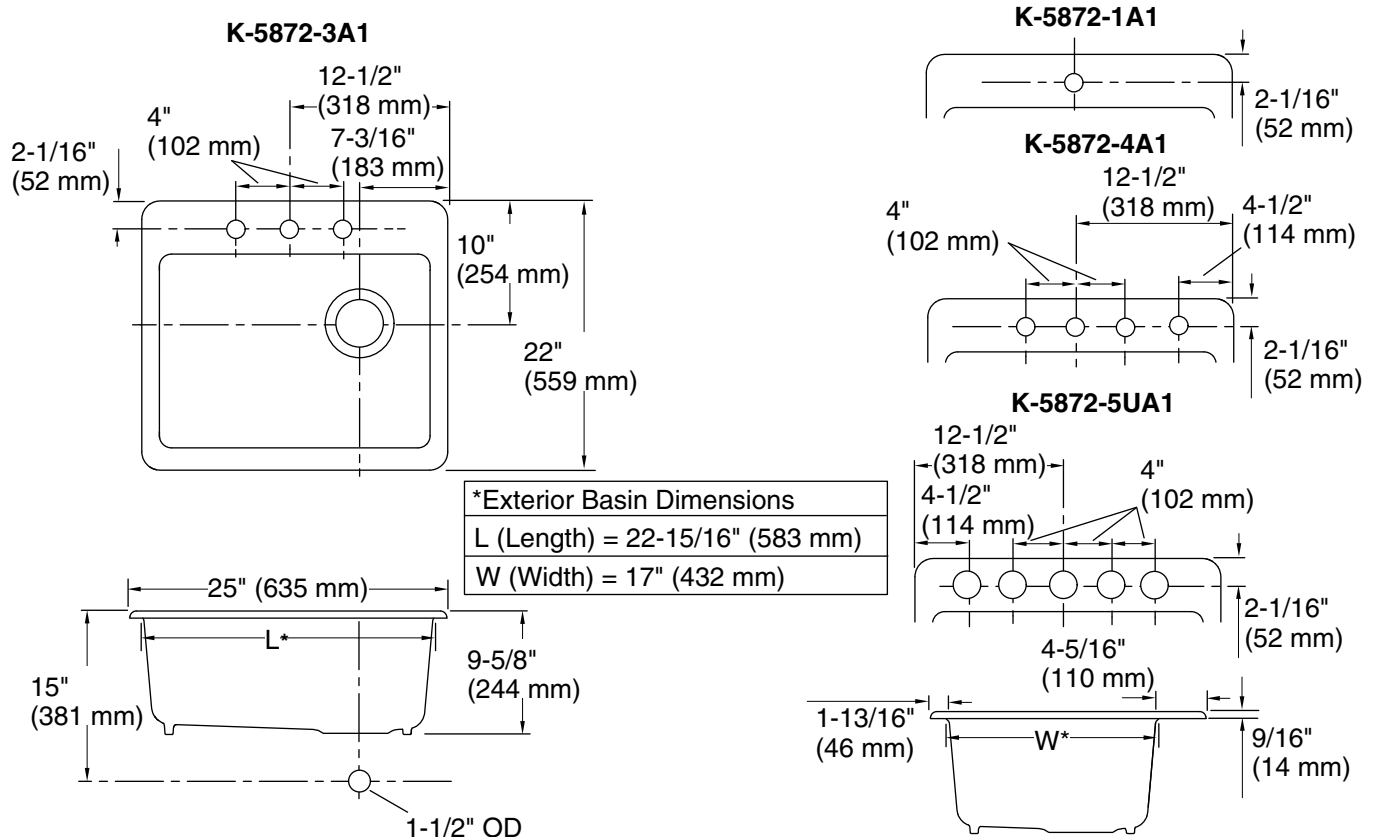
Fixture*:	
Bowl area	22-1/4" (565 mm) x 15-13/16" (402 mm)
Water depth	9" (229 mm)
Drain hole	Ø 3-7/8" (98 mm)
Faucet holes:	
Top-mount models	Ø 1-3/8" (35 mm)
Under-mount model	Ø 2-3/8" (60 mm)
* Approximate measurements for comparison only.	
Included components:	
Under-mount sink kit 23" (584 mm)	1054375
Cutout template	1172565-7

Installation Notes

Install this product according to the installation guide.

NOTICE: Countertop manufacturer or cutter **must** use the cutout template provided with the product, or a current one provided by Kohler Co. (call 1-800-4-KOHLER). Kohler Co. is not responsible for cutout errors when the incorrect cutout template is used.

IMPORTANT! Use of the colander, wood cutting board, and utility rack requires the "reveal" cutout option on the cutout template.



Product Diagram