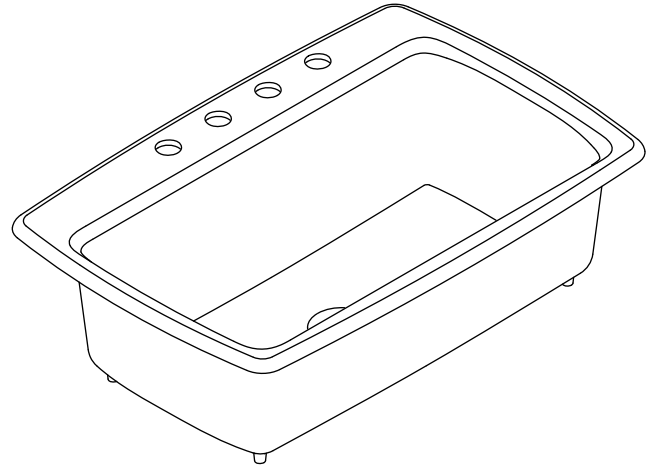


Features

- KOHLER cast iron
- Acid-resistant enamel finish
- Top-mount
- Single compartment
- 2-hole (-2), 3-hole (-3), or 4-hole (-4)
- 33" (838 mm) x 22" (559 mm)

TOP-MOUNT KITCHEN SINK K-5863



Codes/Standards Applicable

Specified model meets or exceeds the following:

- ASME A112.19.1/CSA B45.2

Colors/Finishes

- 0: White
- Other: Refer to Price Book for additional colors/finishes

Accessories

- CP: Polished Chrome
- ST: Stainless Steel
- NA: None applicable
- Other: Refer to Price Book for additional colors/finishes

Specified Model

Model	Description	Colors/Finishes	
K-5863-2	Top-mount kitchen sink – 2-hole	<input type="checkbox"/> 0	<input type="checkbox"/> Other _____
K-5863-3	Top-mount kitchen sink – 3-hole	<input type="checkbox"/> 0	<input type="checkbox"/> Other _____
K-5863-4	Top-mount kitchen sink – 4-hole (shown)	<input type="checkbox"/> 0	<input type="checkbox"/> Other _____

Recommended Accessories

K-9000	P-trap	<input type="checkbox"/> CP
--------	--------	-----------------------------

Optional Accessories

K-6063	Bottom bowl rack	<input type="checkbox"/> ST
K-6637	Hardwood cutting board	<input type="checkbox"/> NA
K-8801	Duostrainer® sink strainer	<input type="checkbox"/> CP <input type="checkbox"/> Other _____

Product Specification

The top-mount kitchen sink shall be made of cast iron with acid-resistant enamel finish. Sink shall be 33" (838 mm) in length, and 22" (559 mm) in width. Sink shall be single compartment. Sink shall be 2-hole (-2), 3-hole (-3), or 4-hole (-4). Sink shall be Kohler Model K-5863-_____-_____.

CAPE DORY™

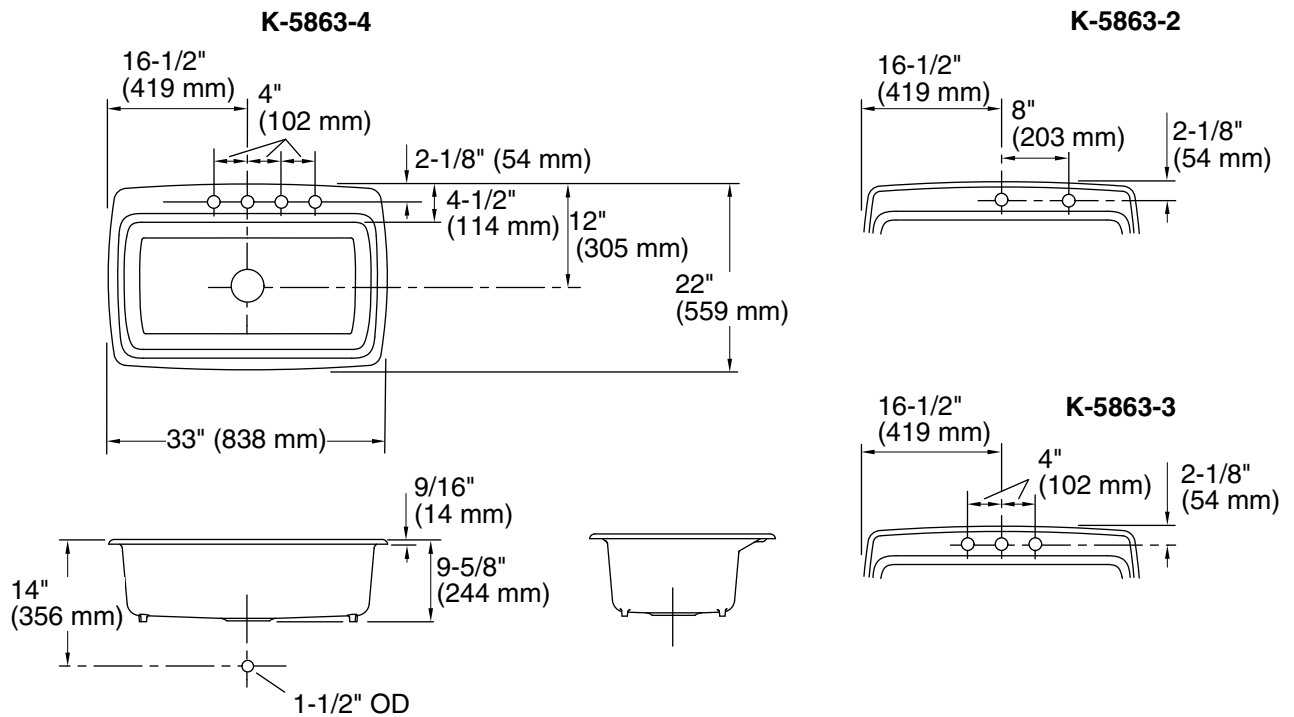
Technical Information

Fixture*:	
Bowl area	29" (737 mm) x 15" (381 mm)
Water depth	9" (229 mm)
Drain hole	Ø 3-5/8" (92 mm)
Faucet holes	Ø 1-3/8" (35 mm)
*Approximate measurements for comparison only.	

Installation Notes

Install this product according to the installation guide.

Cut-out is 30-1/2" (775 mm) x 20-1/8" (508 mm) with 1-1/2" (38 mm) radius corners.



Product Diagram