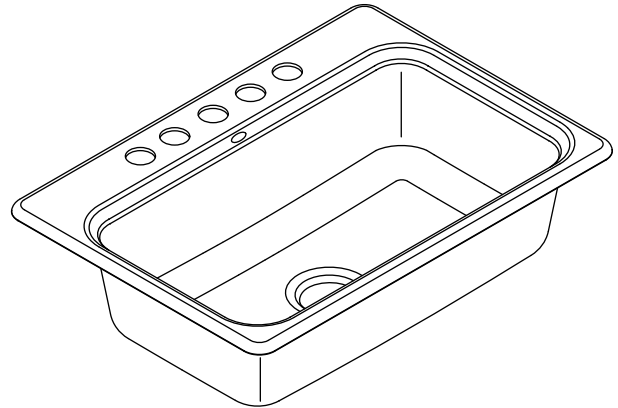


### Features

- KOHLER cast iron
- Acid-resistant enamel finish
- Under-mount
- Single bowl
- 23" (584 mm) under-mount sink kit included
- 5-hole (oversized)
- 27" (686 mm) x 15" (381 mm)

### UNDER-MOUNT KITCHEN SINK K-5832-5U



### Codes/Standards Applicable

Specified model meets or exceeds the following:

- ASME A112.19.1/CSA B45.2

### Colors/Finishes

- 0: White
- Other: Refer to Price Book for additional colors/finishes

### Accessories

- CP: Polished Chrome
- 0: White
- Other: Refer to Price Book for additional colors/finishes

### Specified Model

Model	Description	Colors/Finishes	
K-5832-5U	Under-mount kitchen sink – 5-hole	<input type="checkbox"/> 0	<input type="checkbox"/> Other_____

#### Recommended Accessories

K-9000	P-Trap	<input type="checkbox"/> CP
--------	--------	-----------------------------

#### Optional Accessories

K-5836	Polyethylene cutting board	<input type="checkbox"/> 0
K-6517	Bottom bowl rack	<input type="checkbox"/> 0 <input type="checkbox"/> Other_____
K-8801	Duostrainer® sink strainer	<input type="checkbox"/> CP <input type="checkbox"/> Other_____
K-5807	Under-mount sink kit 36" (914 mm)	<input type="checkbox"/> CP <input type="checkbox"/> Other_____

### Product Specification

The under-mount sink shall be 27" (686 mm) in length, and 15" (381 mm) in width. Sink shall be made of cast iron with acid-resistant enamel finish. Sink shall be single bowl. Sink shall be 5-hole (oversized). Sink shall include under-mount sink kit 23" (584 mm). Sink shall be Kohler Model K-5832-5U-\_\_\_\_\_.

# BAKERSFIELD™

## Technical Information

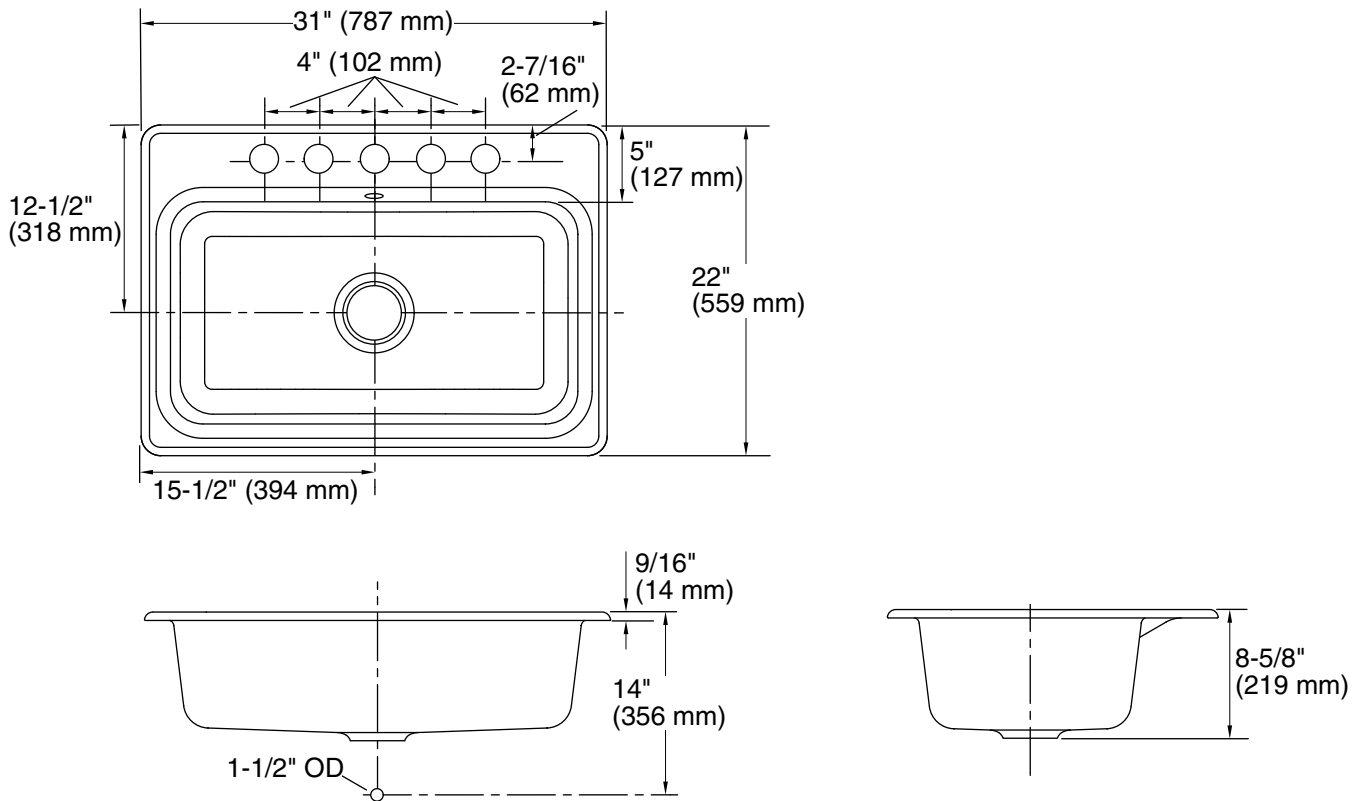
Fixture*:	Bowl area	Water depth
Sink	27" (686 mm) x 15" (381 mm)	8" (203 mm)
Drain hole	Ø 3-5/8" (92 mm)	
Faucet holes	Ø 2-3/8" (60 mm)	
* Approximate measurements for comparison only.		

Included components:	
Cut-out template	1139754-7
Under-mount sink kit 23" (584 mm)	1054375

## Installation Notes

Install this product according to the installation guide.

Faucet holes in under-mount fixture are oversized at Ø 2-3/8" (60 mm). Drill faucet holes in counter according to fitting rough-in.



## Product Diagram