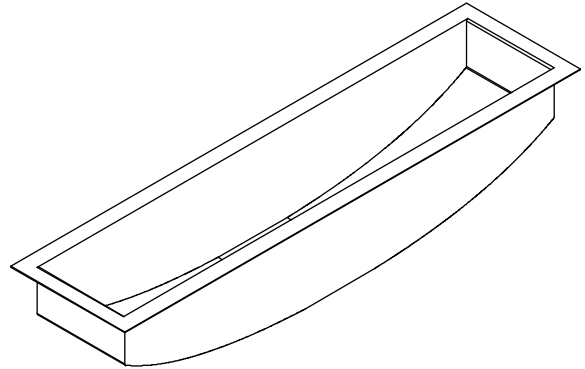


### Features

- 16-gauge stainless steel
- Under-mount
- Single bowl
- Includes installation hardware
- Optional wire basket and rack
- 31" (787 mm) x 6-1/4" (159 mm)

### UNDER-MOUNT KITCHEN SINK K-3155 ALSO K-3187



### Codes/Standards Applicable

Specified model meets or exceeds the following:

- ASME A112.19.3/CSA B45.4

### Colors/Finishes

- NA: None applicable

### Accessories

- NA: None applicable
- ST: Stainless Steel
- CP: Polished Chrome
- Other: Refer to Price Book for additional colors/finishes

### Specified Model

Model	Description	Colors/Finishes		
K-3155	Under-mount kitchen sink - with wire basket and wire rack	<input type="checkbox"/> NA		
K-3187	Under-mount kitchen sink - less wire basket and wire rack	<input type="checkbox"/> NA		
<b>Included Accessories (for K-3155 only)</b>				
K-3127	Wire basket	<input type="checkbox"/> ST		
K-3136	Wire rack	<input type="checkbox"/> ST		
<b>Optional Accessories</b>				
K-2989	Countertop cutting board	<input type="checkbox"/> NA		
K-8801	Duostrainer® sink strainer		<input type="checkbox"/> CP	<input type="checkbox"/> Other

### Product Specification

The under-mount kitchen sink shall be made of 16-gauge stainless steel. Sink shall be single bowl. Sink shall be 31" (787 mm) in length and 6-1/4" (159 mm) in width. Sink shall include installation hardware. Sink shall feature optional wire basket and rack. Sink shall be Kohler Model K-\_\_\_\_\_-NA.

# UNDERTONE®

## Technical Information

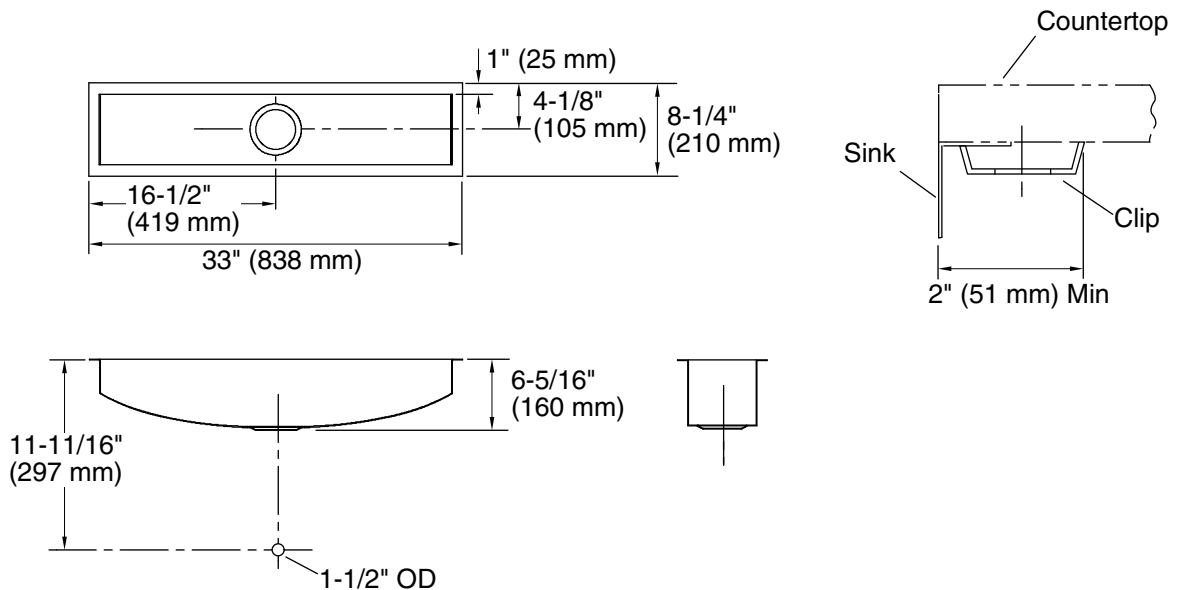
Fixture*:	
Bowl area	31" (787 mm) x 6-1/4" (159 mm)
Water depth	5-15/16" (151 mm)
Drain hole	Ø 3-5/8" (92 mm)
*Approximate measurements for comparison only.	

Included components:	
Hardware kit	91915
Cutout template	1022025-7

## Installation Notes

Install this product according to the installation guide.

Allow a minimum of 2" (51 mm) clearance around the sink rim for clip attachment.



## Product Diagram